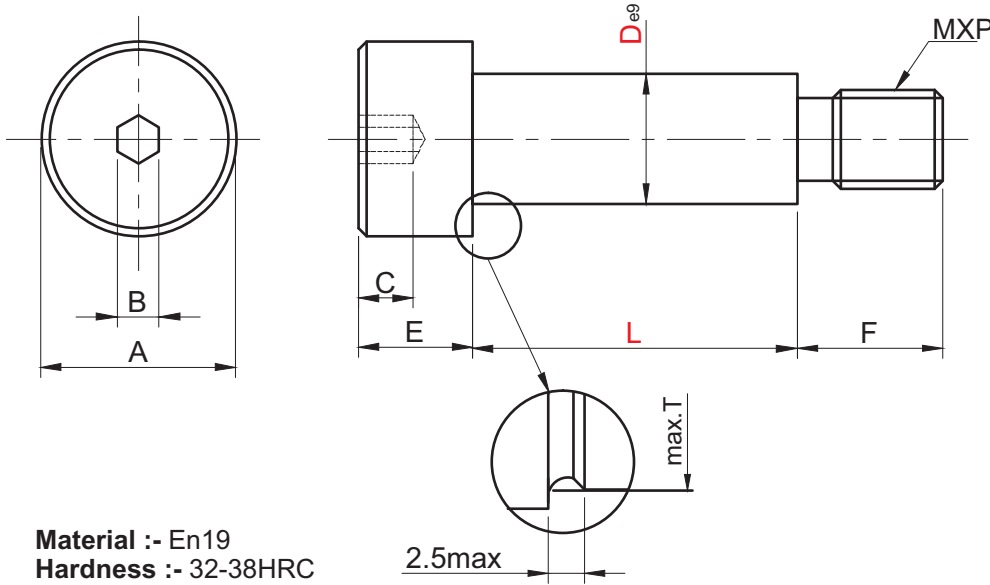


# Stripper Bolt (PSTB)



Material :- En19  
Hardness :- 32-38HRC



TYPE	De9	A	B	C	E	F	MXP	T	L
PSTB	4	6.5	2.5	1.6	3	5	2.5X0.45	4.5	25 30 35 40 45
	4.5	7				6	3X0.5	5	25 30 35 40 45 50
	5	8				3.5	5.5	25 30 35 40 45 50	
	5.5	9	3	2.2	4	7	4X0.7	6	25 30 35 40 45 50 55
	6			2				6.5	25 30 35 40 45 50 55 60 65 70
	6.5	10	4	2.5	5	9	5X0.8	7	25 30 35 40 45 50 55 60 65 70 75 80
	8							13	5
	10	16	6	4	8	12	8X1.25	10.8	25 30 35 40 45 50 55 60 65 70 75 80 90 95 100
	12							17	12.8
	13	18	8	5	10	16	10X1.5	14	25 30 35 40 45 50 55 60 65 70 75 80 90 95 100
	16							24	10
	20	27	14	9	18	24	16X2.0	21	25 30 35 40 45 50 55 60 65 70 75 80 90 95 100

Order Type :- Code X D X L  
Example :- PSTB X 10 X 45